



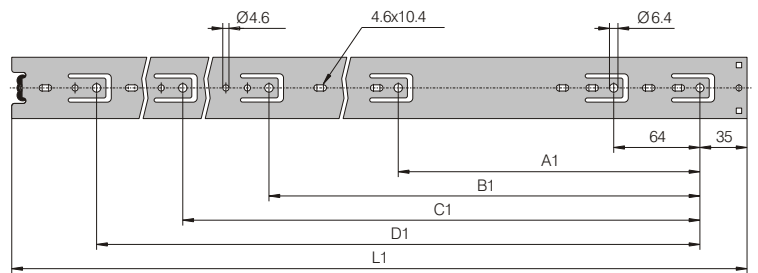
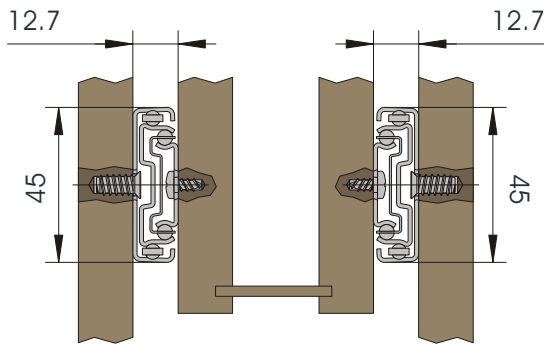
BALL BEARING SLIDES H 45



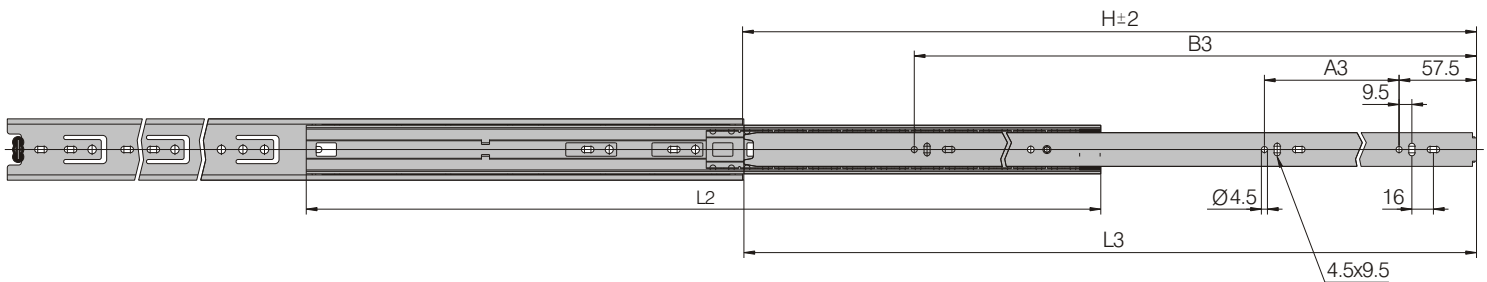
Ball Bearing slides, height 45mm
 Full extension, guiding double tracks, stop in opening
 Mounting in the drawer side
 Load capacity: 100Lbs - 45kg
 Finish: zinc-plated (other finishing are available on request)
 Length: from 250 to 900mm



MOUNTING SCHEME



L1	COD.	L3	L2	A1	B1	C1	D1	H	A3	B3
250	BB250F45RI	250	238	148				254	176	
300	BB300F45RI	301	289	224				305	96	224
350	BB350F45RI	352	340	224				356	128	256
400	BB400F45RI	402	390	224	288			406	160	320
450	BB450F45RI	453	441	224	352			457	160	352
500	BB500F45RI	504	492	224	352	416		508	192	416
550	BB550F45R	555	543	224	352	416		559	224	448
600	BB600F45RI	606	594	224	352	480		610	256	512
650	BB650F45RI	656	644	224	352	544		660	288	576
700	BB700F45RI	707	695	224	352	544		711	288	576
750	BB750F45RI	758	746	224	352	512	640	762	288	608
800	BB800F45RI	809	797	224	352	512	640	813	320	672
850	BB850F45RI	860	848	224	352	608	736	864	352	736
900	BB900F45RI	910	898	224	352	608	736	914	352	736



Per ulteriori informazioni rivolgersi a: **ITALY:** Agostino Ferrari S.p.a.
 23878 Verderio S. (LC) Via per Cornate - Italy
 Tel. ++39.039.59001 Fax ++39.039.5900222
 Web Site://www.ferrarispa.it
 e-mail: ferrarispa@ferrarispa.it

USA: Ferrari America INC
 4189 Eagle Hill Drive, Ste. 110
 High Point, NC 27265
 Phone: 800-664-4872
 Fax: 800-406-2224